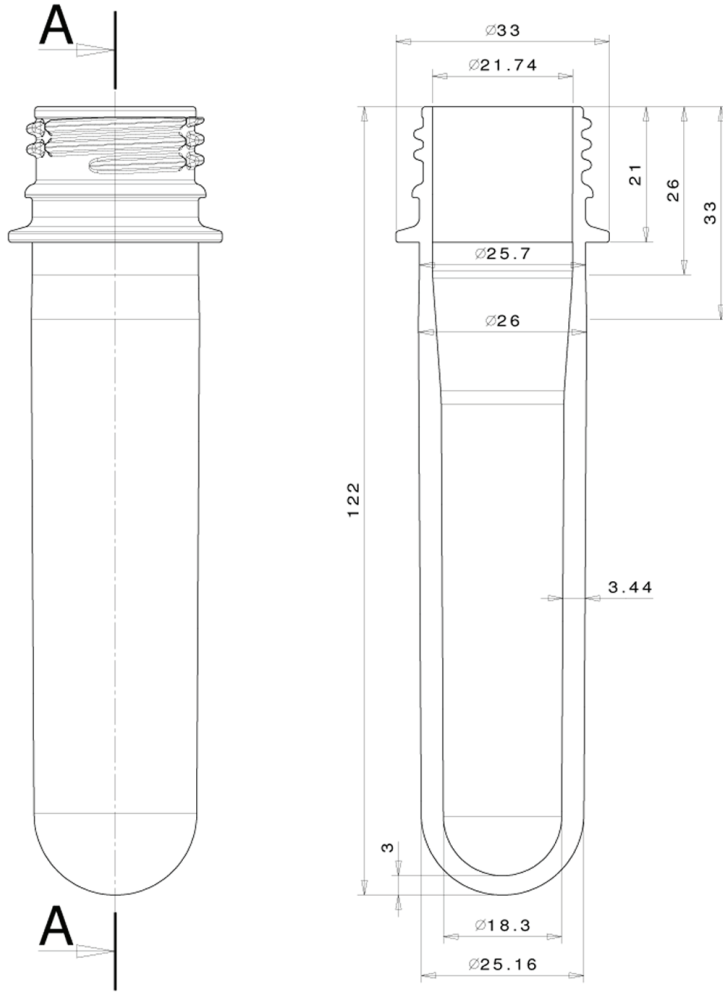




103391

28 PCO 1810 35 gram; PET Preform, Clear  
K.G. International - sales@kgint.com - +1 305 499-9816



A-A View/Görünüm



SCALE	1/1 (mm)
MATERIAL	PET
WEIGHT	35,00 ± 0,50 gr
QUALITY	ISO EN 9001